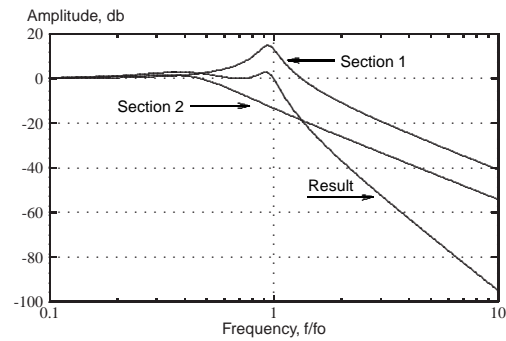
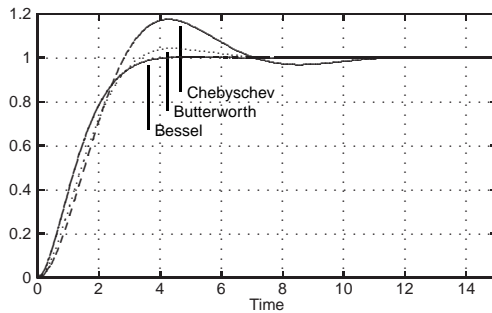
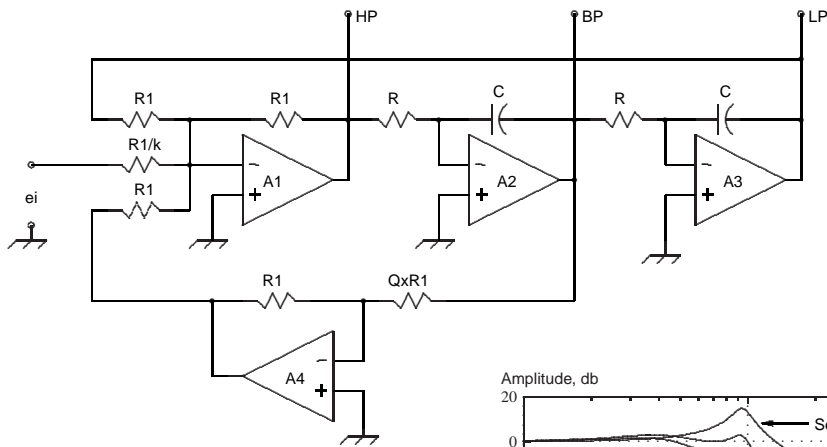


# Analog Circuit Design



Peter D. Hiscocks

## Analog Circuit Design

Peter D. Hiscocks

Professor Emeritus  
Department of Electrical and Computer Engineering  
Ryerson University

CEO  
Syscomp Electronic Design Limited

Email: [phiscock@ee.ryerson.ca](mailto:phiscock@ee.ryerson.ca)  
August 29, 2010

©Peter D. Hiscocks, 2010

*Understanding (an analog design) is like understanding a language. It doesn't take long to look at a schematic and know what it is all about if you know the language.*

Bob Dobkin, Vice President, Engineering, Maxim Integrated Circuits  
Designer of the LM118 Op Amp  
Quoted in [1]

## Contents

|          |  |          |
|----------|--|----------|
| <b>1</b> | <b>Introduction</b>  | <b>1</b> |
| 1.1      | Outline of the Material . . . . .  | 4        |
| 1.2      | Converting Units of Measurement: A Systematic Method . . . . .                           | 6        |
| <b>2</b> | <b>Basic DC Circuits</b>   | <b>7</b> |
| 2.1      | Voltage, Current and Resistance . . . . .  | 7        |
| 2.2      | Electron Flow and Conventional Current: The Unlucky Guess of Benjamin Franklin . . . . . | 7        |
| 2.3      | Electronic Charge . . . . .  | 8        |
| 2.4      | Voltage . . . . .  | 8        |
| 2.4.1    | Example Voltages . . . . .   | 9        |
| 2.4.2    | Voltmeter . . . . .  | 10       |
| 2.4.3    | Voltage Standards . . . . .  | 10       |
| 2.5      | Current . . . . .  | 10       |
| 2.5.1    | Current Meter (Ammeter) . . . . .  | 11       |
| 2.5.2    | Current Standards . . . . .  | 11       |
| 2.5.3    | Example Currents . . . . .   | 11       |
| 2.5.4    | Electron Conduction Physics [2] . . . . .  | 11       |
| 2.5.5    | Velocity of Electron in a Vacuum Tube . . . . .  | 12       |
| 2.6      | Resistance and Ohm's Law . . . . .   | 13       |
| 2.6.1    | Example Resistances . . . . .  | 14       |
| 2.6.2    | Resistance Standards . . . . .   | 15       |
| 2.6.3    | Standard Values . . . . .  | 15       |
| 2.6.4    | Conductivity . . . . .   | 15       |
| 2.6.5    | Designing Resistors . . . . .  | 16       |
| 2.6.6    | European Style Notation . . . . .  | 18       |
| 2.7      | Ideal Voltage Source . . . . .   | 18       |
| 2.8      | Ideal Current Source . . . . .   | 19       |
| 2.9      | Kirchhoff's Voltage Law . . . . .  | 19       |
| 2.10     | Kirchhoff's Current Law . . . . .  | 21       |
| 2.11     | KVL, KCL and Circuit Analysis . . . . .  | 22       |
| 2.12     | <i>Grounded</i> and <i>Floating</i> Components . . . . .                                 | 22       |
| 2.13     | Resistors in Series . . . . .  | 23       |
| 2.14     | Resistors in Parallel . . . . .  | 23       |
| 2.15     | Resistor Networks . . . . .  | 24       |
| 2.16     | Meters for Voltage, Current and Resistance . . . . .                                     | 24       |
| 2.16.1   | Moving Coil Meter Movement . . . . .   | 24       |
| 2.16.2   | Characterising an Unknown Meter Movement . . . . .                                       | 25       |
| 2.16.3   | Moving Coil Voltmeter . . . . .  | 26       |
| 2.16.4   | Moving Coil Ammeter . . . . .  | 27       |
| 2.16.5   | Moving Coil Ohmmeter . . . . .   | 28       |
| 2.17     | Practical Voltage Source . . . . .   | 29       |
| 2.18     | Internal Resistance: Case Histories . . . . .  | 30       |
| 2.19     | Practical Current Source . . . . .   | 33       |
| 2.20     | Measuring Internal Resistance . . . . .  | 34       |
| 2.21     | The <i>Load Line</i> . . . . .   | 35       |
| 2.22     | Voltage and Current Source, Compared . . . . .   | 37       |

|          |  |           |
|----------|--|-----------|
| 2.23     | Power Dissipation . . . . .  | 39        |
| 2.24     | Battery Tester . . . . .   | 40        |
| 2.25     | The Capacitor . . . . .  | 41        |
| 2.25.1   | Capacitor Construction . . . . .   | 42        |
| 2.25.2   | Energy Storage in a Capacitor . . . . .                                  | 43        |
| 2.25.3   | Energy Storage: Battery and Capacitor . . . . .                          | 43        |
| 2.25.4   | Common Misconception: Kirchoff's Current Law and The Capacitor . . . . . | 44        |
| 2.26     | The Capacitor: Time Domain . . . . .                                     | 44        |
| 2.26.1   | Defective Circuit . . . . .  | 46        |
| 2.26.2   | Energy Storage in a Capacitor: Reprise . . . . .                         | 46        |
| 2.26.3   | Application: Ramp Generator . . . . .                                    | 47        |
| 2.27     | Capacitances in Series and Parallel . . . . .                            | 48        |
| 2.28     | The Inductor . . . . .   | 51        |
| 2.28.1   | Voltage Induction . . . . .  | 51        |
| 2.28.2   | Moving Magnet Induction . . . . .  | 51        |
| 2.28.3   | Faraday's Law and Lenz's Law . . . . .                                   | 52        |
| 2.28.4   | Inductance . . . . .   | 54        |
| 2.28.5   | Energy Storage in an Inductor . . . . .                                  | 56        |
| 2.29     | Inductance and Magnetism . . . . .                                       | 57        |
| 2.29.1   | The Electric Circuit Analogy . . . . .                                   | 57        |
| 2.29.2   | Reluctance . . . . .   | 58        |
| 2.29.3   | Example: Variable Reluctance Sensor . . . . .                            | 58        |
| 2.29.4   | Deriving the Inductance . . . . .  | 59        |
| 2.29.5   | Saturation . . . . .   | 60        |
| 2.29.6   | Summary . . . . .  | 61        |
| 2.29.7   | Solenoid Inductance on Ferrite Rod . . . . .                             | 62        |
| 2.30     | The <i>Amplifier</i> Concept . . . . .                                   | 62        |
| 2.31     | Switches and Relays . . . . .  | 64        |
| 2.32     | Exercises . . . . .  | 66        |
| <b>3</b> | <b>Tools for Circuit Analysis: Part 1</b> . . . . .                      | <b>73</b> |
| 3.1      | Thevenin's Theorem . . . . .   | 73        |
| 3.2      | Norton's Theorem . . . . .   | 75        |
| 3.3      | The Voltage Divider . . . . .  | 75        |
| 3.4      | Voltage Divider Design . . . . .   | 79        |
| 3.4.1    | Exact Method . . . . .   | 79        |
| 3.4.2    | Simple Method . . . . .  | 81        |
| 3.4.3    | Graphical Method: Divider Design with Standard 5% Resistors . . . . .    | 84        |
| 3.4.4    | Large Ratio Divider Shortcut . . . . .                                   | 85        |
| 3.4.5    | Derivation of the Nomogram . . . . .                                     | 86        |
| 3.5      | The Current Divider . . . . .  | 87        |
| 3.5.1    | Current Divider Application: Meter Characterization . . . . .            | 87        |
| 3.6      | The Superposition Theorem . . . . .                                      | 88        |
| 3.6.1    | Applications . . . . .   | 88        |
| 3.6.2    | Superposition and Power . . . . .  | 90        |
| 3.7      | The Passive Adder . . . . .  | 91        |
| 3.8      | The Wheatstone Bridge . . . . .  | 92        |
| 3.9      | <i>Load Line</i> Application: Digital Logic Interface . . . . .          | 93        |

|          |  |            |
|----------|--|------------|
| 3.10     | Component Tolerances . . . . .                                 | 99         |
| 3.11     | Cumulative Tolerance . . . . .                                 | 99         |
| 3.12     | Complex Cases: Spreadsheet to the Rescue . . . . .             | 101        |
| 3.13     | Larger Problems . . . . .                                      | 103        |
| 3.14     | Error Budget Analysis . . . . .                                | 103        |
| 3.15     | Exercises . . . . .  | 104        |
| <b>4</b> | <b>Tools for Circuit Analysis: Part 2</b>                      | <b>108</b> |
| 4.1      | Alternating Current . . . . .                                  | 108        |
| 4.1.1    | Waveforms in General . . . . .                                 | 108        |
| 4.1.2    | Sinusoidal Waveforms . . . . .                                 | 109        |
| 4.2      | Vector Notation and Sine Waves . . . . .                       | 111        |
| 4.3      | Reactance . . . . .  | 111        |
| 4.4      | Complex Numbers . . . . .                                      | 112        |
| 4.5      | Capacitive Reactance . . . . .                                 | 115        |
| 4.5.1    | Capacitive Reactance in Vector Notation . . . . .              | 116        |
| 4.5.2    | Example: Capacitive Reactance . . . . .                        | 116        |
| 4.5.3    | Example: Current in a Capacitor . . . . .                      | 117        |
| 4.6      | Inductive Reactance . . . . .                                  | 118        |
| 4.7      | Reactance Calculators . . . . .                                | 120        |
| 4.7.1    | Reactance Chart . . . . .                                      | 120        |
| 4.7.2    | Reactance Slide Rule . . . . .                                 | 122        |
| 4.7.3    | Gnuplot Routine for Capacitive Reactance Chart . . . . .       | 122        |
| 4.8      | RC Lowpass Network . . . . .                                   | 124        |
| 4.8.1    | Example: Charging Capacitor . . . . .                          | 125        |
| 4.9      | RC Highpass Network . . . . .                                  | 127        |
| 4.10     | Resonance, an Introduction . . . . .                           | 128        |
| 4.11     | Series Resonance . . . . .                                     | 129        |
| 4.11.1   | Frequency Response . . . . .                                   | 130        |
| 4.11.2   | Voltages and Currents in the Series Resonant Circuit . . . . . | 131        |
| 4.12     | Parallel Resonance . . . . .                                   | 131        |
| 4.12.1   | Frequency Response . . . . .                                   | 132        |
| 4.13     | Boing vs Thud: the Q Factor . . . . .                          | 133        |
| 4.13.1   | Defining Q Factor . . . . .                                    | 133        |
| 4.13.2   | Q Factor and Energy Dissipation . . . . .                      | 134        |
| 4.13.3   | Q Factor and Voltage Magnification . . . . .                   | 135        |
| 4.13.4   | Q Factor, Bandwidth and Filter Shape . . . . .                 | 135        |
| 4.14     | Bandwidth of a Resonant Circuit . . . . .                      | 136        |
| 4.14.1   | Bandwidth and Q Factor . . . . .                               | 137        |
| 4.15     | The Compensated Attenuator . . . . .                           | 139        |
| 4.16     | The Ideal Transformer . . . . .                                | 141        |
| 4.17     | Impedance . . . . .  | 143        |
| 4.17.1   | Impedance . . . . .  | 144        |
| 4.17.2   | Using Impedance . . . . .                                      | 146        |
| 4.17.3   | Impedance Matching . . . . .                                   | 147        |
| 4.18     | Exercises . . . . .  | 148        |

|          |   |            |
|----------|---|------------|
| <b>5</b> | <b>The Laplace Transform</b>  | <b>149</b> |
| 5.1      | Overview  | 149        |
| 5.1.1    | Laplace Notation as Shorthand                                       | 151        |
| 5.1.2    | A Simple Example: Capacitor Charging Equation                       | 151        |
| 5.1.3    | Inductor Differential Equation                                      | 152        |
| 5.1.4    | Capacitive Reactance  | 153        |
| 5.1.5    | Summary   | 153        |
| 5.2      | Transfer Function and Frequency Response                            | 153        |
| 5.2.1    | Transfer Function of Low Pass RC Filter                             | 153        |
| 5.2.2    | Magnitude and Phase of The Lowpass RC Filter                        | 155        |
| 5.2.3    | Measurement   | 156        |
| 5.2.4    | Transfer Function of Low Pass LR Filter                             | 157        |
| 5.2.5    | Measurement   | 157        |
| 5.2.6    | Transfer Function of a Second Order RLC Lowpass Filter              | 158        |
| 5.2.7    | Magnitude and Phase of the Lowpass RLC Filter                       | 160        |
| 5.2.8    | Measurement   | 162        |
| 5.2.9    | Transfer Function of the Two Stage (Second Order) RC Lowpass Filter | 164        |
| 5.3      | Time Domain Response  | 165        |
| 5.3.1    | Computer Algebra: Using Maxima                                      | 165        |
| 5.3.2    | Table of Transforms   | 168        |
| 5.3.3    | Table of Transforms, Quadratic                                      | 168        |
| 5.3.4    | Forcing Function: Unit Impulse                                      | 169        |
| 5.3.5    | Forcing Function: Unit Step   | 170        |
| 5.3.6    | Forcing Function: Unit Ramp   | 171        |
| 5.3.7    | Unit Step and RC Lowpass  | 174        |
| 5.3.8    | Unit Ramp and RC Lowpass  | 176        |
| 5.3.9    | Capacitor with Initial Charge                                       | 180        |
| 5.3.10   | LC Resonant Circuit   | 182        |
| 5.3.11   | RLC Resonant Circuit  | 186        |
| 5.3.12   | Two Stage (Second Order) Lowpass, Impulse Response                  | 189        |
| 5.3.13   | Comparing the Filters   | 191        |
| 5.4      | Arbitrary Waveforms   | 192        |
| 5.4.1    | Linearity Property  | 192        |
| 5.4.2    | Time Shift Property   | 192        |
| 5.4.3    | Example: Square Pulse   | 193        |
| 5.4.4    | Example: Triangular Pulse   | 193        |
| 5.5      | Appendices  | 194        |
| 5.5.1    | Laplace Transform of Unit Impulse                                   | 194        |
| 5.5.2    | Laplace Transform of the Unit Step                                  | 195        |
| 5.5.3    | Gnuplot Magnitude and Phase Plotting Routines                       | 196        |
| 5.5.4    | Further Reading   | 198        |
| 5.6      | Exercises   | 198        |
| <b>6</b> | <b>The Semiconductor Diode</b>                                      | <b>199</b> |
| 6.1      | Semiconductor Diode   | 199        |
| 6.2      | Diode Logic OR Gate   | 200        |
| 6.3      | Diode Logic AND Gate  | 201        |
| 6.4      | Half Wave Rectifier   | 202        |

|           |   |            |
|-----------|---|------------|
| 6.5       | Full Wave Rectifier . . . . .   | 203        |
| 6.6       | Diode Bridge Rectifier . . . . .  | 204        |
| 6.7       | Diode Clamp . . . . .   | 205        |
| 6.8       | Diode Clipping Circuit . . . . .  | 205        |
| 6.9       | Bi-Directional Clipping . . . . .                                       | 206        |
| 6.10      | The Flyback Diode . . . . .   | 207        |
| 6.11      | Diode Types . . . . .   | 207        |
| 6.12      | Exercises . . . . .   | 208        |
| <b>7</b>  | <b>The Zener Diode</b>  | <b>212</b> |
| 7.1       | The Zener Diode . . . . .   | 212        |
| 7.2       | Zener Regulator . . . . .   | 212        |
| 7.3       | Zener Impedance . . . . .   | 214        |
| 7.4       | Zener Regulator Amplifier . . . . .                                     | 215        |
| 7.5       | Zener Current Drive . . . . .   | 216        |
| 7.6       | Exercises . . . . .   | 217        |
| <b>8</b>  | <b>Active Devices</b>   | <b>218</b> |
| 8.1       | The BJT: Bilateral Junction Transistor . . . . .                        | 218        |
| 8.2       | The JFET: Junction Field Effect Transistor . . . . .                    | 220        |
| 8.3       | The MOSFET: Metal Oxide Semiconductor Field Effect Transistor . . . . . | 221        |
| 8.4       | Application Circuit . . . . .   | 223        |
| 8.5       | The MOSFET Switch . . . . .   | 224        |
| 8.6       | The BJT Switch . . . . .  | 226        |
| 8.7       | BJT Logic Devices . . . . .   | 228        |
| 8.8       | The BJT Flip Flop . . . . .   | 230        |
| 8.9       | Exercises . . . . .   | 231        |
| <b>9</b>  | <b>Motors and Generators</b>  | <b>232</b> |
| 9.1       | DC Motor and Generator . . . . .  | 232        |
| 9.1.1     | The Ideal DC Motor . . . . .  | 233        |
| 9.1.2     | Real DC Generator Behaviour . . . . .                                   | 234        |
| 9.1.3     | Speed Control . . . . .   | 234        |
| 9.1.4     | Torque Control . . . . .  | 235        |
| 9.1.5     | Alternatives . . . . .  | 235        |
| <b>10</b> | <b>Negative Feedback</b>  | <b>236</b> |
| 10.1      | Negative Feedback and Amplifiers . . . . .                              | 238        |
| 10.2      | Negative Feedback and the Operational Amplifier . . . . .               | 240        |
| 10.3      | Minimizing Disturbances . . . . .                                       | 240        |
| 10.4      | Negative Feedback Goes Bad . . . . .                                    | 242        |
| 10.5      | Application: Temperature Controller . . . . .                           | 244        |
| 10.6      | Exercises . . . . .   | 247        |
| <b>11</b> | <b>Reactance and Bode Plots</b>   | <b>252</b> |
| 11.1      | Reactance Plot . . . . .  | 253        |
| 11.2      | The Bode Plot . . . . .   | 256        |
| 11.3      | Constant, Integrator and Differentiator Factors . . . . .               | 258        |
| 11.4      | First Order Lead and Lag Factors . . . . .                              | 259        |

|           |  |            |
|-----------|--|------------|
| 11.5      | First-order Lead . . . . .   | 259        |
| 11.6      | First-order Lag . . . . .  | 261        |
| 11.7      | Example: PID (Proportional, Integral, Differential) Controller . . . . . | 262        |
| 11.8      | Quadratic Factor . . . . .   | 264        |
| 11.9      | Exercises . . . . .  | 266        |
| <b>12</b> | <b>The Operational Amplifier: Basics</b>                                 | <b>267</b> |
| 12.1      | Introduction . . . . .   | 267        |
| 12.2      | The Op-Amp Comparator . . . . .  | 269        |
| 12.3      | The Buffer . . . . .   | 270        |
| 12.4      | The Non-Inverting Amplifier . . . . .                                    | 271        |
| 12.5      | The Inverting Amplifier . . . . .  | 272        |
| 12.6      | The Rules of Op-Amp Behaviour . . . . .                                  | 276        |
| 12.7      | Single Supply Operation . . . . .  | 278        |
| 12.8      | Exercises . . . . .  | 280        |
| <b>13</b> | <b>The Operational Amplifier: Applications</b>                           | <b>285</b> |
| 13.1      | Miller Effect . . . . .  | 285        |
| 13.2      | The Op-Amp Adder . . . . .   | 288        |
| 13.3      | Non-Inverting Adder . . . . .  | 289        |
| 13.4      | Sign Changer (Inverter) . . . . .  | 289        |
| 13.5      | Switchable Sign Changer . . . . .  | 290        |
| 13.6      | The Subtractor . . . . .   | 290        |
| 13.7      | The Instrumentation Amplifier . . . . .                                  | 293        |
| 13.8      | Universal Amplifier . . . . .  | 295        |
| 13.9      | Current to Voltage Converter . . . . .                                   | 297        |
| 13.10     | Integrator, Inverting . . . . .  | 298        |
| 13.11     | Integrator, Non Inverting . . . . .                                      | 301        |
| 13.12     | Differentiator . . . . .   | 303        |
| 13.13     | Application: Spring-Mass Simulation . . . . .                            | 306        |
| 13.14     | Booster Stage . . . . .  | 308        |
| 13.15     | Current Generator, Floating Load . . . . .                               | 310        |
| 13.16     | Current Generator, Grounded Load . . . . .                               | 311        |
| 13.17     | Charge Amplifier . . . . .   | 312        |
| 13.18     | AC-Coupled Inverting Amplifier . . . . .                                 | 316        |
| 13.19     | AC-Coupled Inverting Amplifier, Frequency Response . . . . .             | 319        |
| 13.20     | AC-Coupled Non-Inverting Amplifier . . . . .                             | 322        |
| 13.21     | AC-Coupled Non-Inverting Amplifier, Frequency Response . . . . .         | 324        |
| 13.22     | AC-Coupled Amplifier, Miscellaneous Issues (Advanced) . . . . .          | 327        |
| 13.23     | Input and Output Resistance . . . . .                                    | 329        |
| 13.24     | Summary of Amplifier Circuits . . . . .                                  | 336        |
| 13.25     | Exercises . . . . .  | 340        |
| <b>14</b> | <b>The Schmitt Trigger</b>   | <b>353</b> |
| 14.1      | Introduction . . . . .   | 353        |
| 14.2      | Schmitt Trigger, Inverting . . . . .                                     | 354        |
| 14.3      | Schmitt Trigger, Non-Inverting . . . . .                                 | 356        |
| 14.4      | Exercises . . . . .  | 358        |

|   |            |
|---|------------|
| <b>15 Power Supplies</b>  | <b>360</b> |
| 15.1 AC Power Distribution . . . . .  | 361        |
| 15.2 Power Supply Configuration . . . . .                                     | 363        |
| 15.3 Rectifier-Filter Configurations . . . . .                                | 365        |
| 15.4 Series and Shunt Voltage Regulators . . . . .                            | 372        |
| 15.5 Feedback Voltage Regulator . . . . .                                     | 374        |
| 15.6 Three-terminal Linear Regulator . . . . .                                | 376        |
| 15.7 The AC Adaptor . . . . .   | 378        |
| 15.8 Switching Regulator . . . . .  | 380        |
| 15.9 Switching Regulator, Design Example . . . . .                            | 393        |
| 15.10 Charge Pump . . . . .   | 399        |
| 15.11 Voltage Multiplier . . . . .  | 402        |
| 15.12 Transformer Design . . . . .  | 403        |
| 15.13 Transformer Design Parameters . . . . .                                 | 408        |
| 15.14 Application: Transformer Isolated Interface . . . . .                   | 410        |
| 15.15 Example: Transformer Design . . . . .                                   | 412        |
| 15.16 Summary of Power Supply Design . . . . .                                | 417        |
| 15.17 Appendix: The Transformer Voltage Equation . . . . .                    | 420        |
| 15.18 Appendix: Transformer Power Equation . . . . .                          | 422        |
| 15.19 Appendix: Wire Table . . . . .  | 426        |
| 15.20 Appendix: Calculating the Effective (RMS) Value of a Waveform . . . . . | 427        |
| 15.21 Exercises . . . . .   | 432        |
| <b>16 Precision Rectifiers</b>  | <b>439</b> |
| 16.1 Precision Diode . . . . .  | 441        |
| 16.2 Precision Half-Wave Rectifier . . . . .                                  | 443        |
| 16.3 Precision Full-Wave Rectifier . . . . .                                  | 444        |
| 16.4 Full-Wave Meter Driver . . . . .   | 447        |
| 16.5 Phase-Sensitive Rectifier . . . . .                                      | 448        |
| 16.6 RMS Conversion . . . . .   | 449        |
| 16.6.1 Obvious Implementation . . . . .                                       | 449        |
| 16.6.2 The Implicit Method . . . . .  | 449        |
| 16.7 Thermal Method . . . . .   | 450        |
| 16.8 Peak Detector . . . . .  | 451        |
| 16.8.1 Improved Peak Detector . . . . .                                       | 451        |
| 16.9 Sample-Hold Circuit . . . . .  | 453        |
| 16.10 Exercises . . . . .   | 455        |
| <b>17 Active Filters</b>  | <b>456</b> |
| 17.0.1 Introduction . . . . .   | 456        |
| 17.0.2 Applications . . . . .   | 456        |
| 17.0.3 Function . . . . .   | 457        |
| 17.0.4 Symbols . . . . .  | 457        |
| 17.0.5 Order . . . . .  | 458        |
| 17.0.6 Shape . . . . .  | 458        |
| 17.0.7 Sensitivity . . . . .  | 459        |
| 17.0.8 Implementation . . . . .   | 460        |
| 17.0.9 Roadmap to the Section . . . . .                                       | 460        |

|           |   |            |
|-----------|---|------------|
| 17.1      | First-Order Filters . . . . .   | 461        |
| 17.1.1    | First Order Active Filters . . . . .                                    | 463        |
| 17.2      | Example: A Simple Bandpass Filter . . . . .                             | 464        |
| 17.3      | Second-Order Low-Pass Filter . . . . .                                  | 466        |
| 17.3.1    | Transfer Function of the First Order Cascade . . . . .                  | 467        |
| 17.4      | Second-Order Band-Pass Filter . . . . .                                 | 472        |
| 17.5      | Second-Order High-Pass Filter . . . . .                                 | 474        |
| 17.6      | Second-Order Band-Reject (Notch) Filter . . . . .                       | 476        |
| 17.7      | Summary, Second-Order Filters . . . . .                                 | 479        |
| 17.8      | The <i>Bronzite</i> Circuit . . . . .                                   | 480        |
| 17.9      | The <i>Sallen-Key</i> Lowpass Circuit . . . . .                         | 482        |
| 17.10     | The <i>Sallen-Key</i> Highpass Circuit . . . . .                        | 487        |
| 17.11     | The <i>State Variable</i> Circuit . . . . .                             | 488        |
| 17.12     | Notch Filter Circuits . . . . .   | 492        |
| 17.13     | State Variable Notch . . . . .  | 492        |
| 17.14     | The Twin-Tee Network . . . . .  | 493        |
| 17.14.1   | Tuneable Passive Notch Filter . . . . .                                 | 495        |
| 17.15     | Higher Order Filters . . . . .  | 495        |
| 17.16     | The <i>Butterworth</i> Characteristic . . . . .                         | 496        |
| 17.17     | Designing A Butterworth Filter . . . . .                                | 496        |
| 17.18     | The <i>Chebyshev</i> Characteristic . . . . .                           | 499        |
| 17.19     | The <i>Bessel</i> Characteristic . . . . .                              | 506        |
| 17.20     | Plotting High-Order Filter Characteristics . . . . .                    | 507        |
| 17.21     | First-Order Transient Response . . . . .                                | 509        |
| 17.22     | Second-Order Transient Response . . . . .                               | 509        |
| 17.23     | Filter Tables . . . . .   | 511        |
| 17.24     | Design Method Overview . . . . .  | 514        |
| 17.25     | Appendix: The Complex Frequency Plane . . . . .                         | 515        |
| 17.25.1   | Poles and Zeros . . . . .   | 515        |
| 17.25.2   | The Second-Order Lowpass Filter, Normalized . . . . .                   | 516        |
| 17.25.3   | The Complex Frequency Plane . . . . .                                   | 518        |
| 17.25.4   | Zeros at Infinity . . . . .   | 518        |
| 17.25.5   | The <i>Membrane</i> Model . . . . .                                     | 519        |
| 17.25.6   | Amplitude and Phase Response from the Complex Frequency Plane . . . . . | 520        |
| 17.25.7   | Generalizing the Amplitude and Phase Response . . . . .                 | 522        |
| 17.25.8   | Example: The Highpass Filter . . . . .                                  | 522        |
| 17.26     | Summary of Common Pole-Zero Configurations . . . . .                    | 524        |
| 17.27     | Exercises . . . . .   | 527        |
| <b>18</b> | <b>The Zoo: Unusual Circuits</b> . . . . .                              | <b>535</b> |
| 18.1      | NIC: Negative Impedance Converter . . . . .                             | 535        |
| 18.2      | Capacitance Multiplier . . . . .  | 537        |
| 18.3      | Howland Current Generator . . . . .                                     | 539        |
| 18.4      | Simple Gyrator . . . . .  | 541        |
| 18.4.1    | Transient Analysis: A Reality Check . . . . .                           | 542        |
| 18.4.2    | Assessment . . . . .  | 543        |
| 18.5      | Improved Gyrator . . . . .  | 543        |
| 18.6      | FDNR: Frequency Dependent Negative Resistance . . . . .                 | 546        |

|           |   |            |
|-----------|---|------------|
| 18.6.1    | Application . . . . .                                     | 546        |
| 18.6.2    | Circuit . . . . .   | 547        |
| 18.7      | Circulator . . . . .                                      | 548        |
| 18.8      | Exercises . . . . .                                       | 550        |
| <b>19</b> | <b>Phase Shift Networks</b>                               | <b>554</b> |
| 19.1      | Passive Network Phase Shifter . . . . .                   | 554        |
| 19.1.1    | Improved Phase Shifter . . . . .                          | 554        |
| 19.1.2    | Analysis of the All-Pass Network . . . . .                | 554        |
| 19.1.3    | Bode Plots . . . . .                                      | 555        |
| 19.2      | Op-Amp Phase Shifter . . . . .                            | 556        |
| 19.3      | Wideband Phase Shifter . . . . .                          | 557        |
| 19.4      | Exercises . . . . .                                       | 559        |
| <b>20</b> | <b>Oscillators</b>  | <b>560</b> |
| 20.0.1    | Oscillator as Negative Feedback System . . . . .          | 560        |
| 20.0.2    | Oscillation and Negative Resistance . . . . .             | 560        |
| 20.0.3    | Comparator Driven Oscillator . . . . .                    | 560        |
| 20.0.4    | Simulation Note . . . . .                                 | 560        |
| 20.1      | Phase Shift Oscillator . . . . .                          | 561        |
| 20.1.1    | A Design Example . . . . .                                | 561        |
| 20.2      | Wien Bridge Oscillator . . . . .                          | 563        |
| 20.2.1    | References . . . . .                                      | 565        |
| 20.3      | Wien Bridge Oscillator, Amplitude Stabilization . . . . . | 565        |
| 20.4      | Quadrature Oscillator . . . . .                           | 567        |
| 20.5      | Three-Phase Oscillator . . . . .                          | 570        |
| 20.5.1    | Analysis . . . . .  | 570        |
| 20.6      | Schmitt Trigger Astable . . . . .                         | 572        |
| 20.7      | Function Generator . . . . .                              | 574        |
| 20.8      | Exercises . . . . .                                       | 576        |
| <b>21</b> | <b>The Non-Ideal Operational Amplifier</b>                | <b>580</b> |
| 21.1      | Finite Gain . . . . .                                     | 581        |
| 21.2      | Bias Current . . . . .                                    | 582        |
| 21.3      | Offset Voltage . . . . .                                  | 584        |
| 21.4      | Power Supply Rejection Ratio . . . . .                    | 587        |
| 21.5      | Common Mode Rejection Ratio . . . . .                     | 590        |
| 21.6      | Output Voltage and Current Limit . . . . .                | 593        |
| 21.7      | Output Resistance . . . . .                               | 594        |
| 21.8      | Slew Rate . . . . .                                       | 596        |
| 21.9      | Noise and Bandwidth . . . . .                             | 600        |
| 21.10     | Exercises . . . . .                                       | 600        |
| <b>22</b> | <b>Operational Amplifier Noise</b>                        | <b>609</b> |
| 22.1      | Resistor Noise . . . . .                                  | 612        |
| 22.2      | Noise Spectrum . . . . .                                  | 614        |
| 22.3      | Effective Noise Bandwidth . . . . .                       | 616        |
| 22.4      | Op-amp Noise . . . . .                                    | 617        |
| 22.5      | Noise Gain . . . . .                                      | 621        |

|           |   |            |
|-----------|---|------------|
| 22.6      | Noise Example: Voltage Follower . . . . .                           | 622        |
| 22.7      | Noise Example: Inverter . . . . .                                   | 624        |
| 22.8      | Noise Formulae . . . . .  | 627        |
| 22.9      | Exercises . . . . .   | 630        |
| <b>23</b> | <b>Operational Amplifier Frequency Response</b>                     | <b>632</b> |
| 23.1      | Introduction . . . . .  | 632        |
| 23.2      | Gain-Bandwidth . . . . .  | 633        |
| 23.3      | Maximum Useful Frequency . . . . .                                  | 635        |
| 23.4      | Single Pole Response . . . . .                                      | 637        |
| 23.5      | Quadratic Response . . . . .  | 640        |
| 23.6      | Exercises . . . . .   | 644        |
| <b>24</b> | <b>Stability</b>  | <b>645</b> |
| 24.1      | Introduction . . . . .  | 645        |
| 24.2      | Decoupling . . . . .  | 646        |
| 24.3      | Phase Margin and Stability . . . . .                                | 647        |
| 24.4      | The <i>Intercept</i> Rule . . . . .                                 | 649        |
| 24.5      | Reduced Noise Gain . . . . .  | 651        |
| 24.6      | Output Buffer Stage . . . . .                                       | 654        |
| 24.7      | Input Capacitance . . . . .   | 656        |
| 24.8      | Frequency Compensation: The Lag-Lead Network . . . . .              | 657        |
| 24.9      | Capacitive Loading . . . . .  | 661        |
| 24.10     | Exercises . . . . .   | 667        |
| <b>25</b> | <b>Digital to Analog Conversion</b>                                 | <b>669</b> |
| 25.1      | D/A Specifications . . . . .  | 670        |
| 25.2      | Weighted Resistor D/A . . . . .                                     | 672        |
| 25.3      | R-2R D/A: Current Steering Mode . . . . .                           | 673        |
| 25.4      | R-2R D/A: Voltage Switching Mode . . . . .                          | 674        |
| 25.5      | The <i>MDAC</i> : Multiplying Digital to Analog Converter . . . . . | 676        |
| 25.6      | MDAC Applications . . . . .   | 678        |
| 25.7      | Pulse Width Modulation . . . . .                                    | 681        |
| 25.8      | Exercises . . . . .   | 685        |
| <b>26</b> | <b>Analog to Digital Conversion</b>                                 | <b>686</b> |
| 26.1      | Signal to Noise Ratio . . . . .                                     | 686        |
| 26.2      | Aliasing . . . . .  | 688        |
| 26.3      | Feedback Converters . . . . .                                       | 689        |
| 26.4      | Single Slope Technique . . . . .                                    | 691        |
| 26.5      | Dual Slope Technique . . . . .                                      | 694        |
| 26.6      | Sigma-Delta Oversampling Converter . . . . .                        | 696        |
| 26.7      | Voltage to Frequency Converter . . . . .                            | 700        |
| 26.8      | Exercises . . . . .   | 704        |

|   |            |
|---|------------|
| <b>27 Opto-Electronic Devices</b>                                       | <b>708</b> |
| 27.1 Introduction . . . . .   | 708        |
| 27.2 Light Emitting Diode . . . . .                                     | 709        |
| 27.3 Photodiode . . . . .   | 710        |
| 27.4 Photoresistive Cell . . . . .                                      | 712        |
| 27.5 Phototransistor . . . . .  | 713        |
| 27.6 Optocoupler . . . . .  | 714        |
| 27.7 Exercises . . . . .  | 715        |
| <b>28 Cooling</b>   | <b>719</b> |
| 28.1 Thermal Circuits . . . . .   | 720        |
| 28.2 The Derating Curve . . . . .                                       | 721        |
| 28.3 Designing a Heatsink: Calculating Thermal Resistance . . . . .     | 722        |
| 28.4 Heatsink Area . . . . .  | 724        |
| 28.5 Thermal Capacitance . . . . .                                      | 725        |
| 28.6 Fan Cooling . . . . .  | 727        |
| 28.7 Power Dissipation in an Operational Amplifier . . . . .            | 729        |
| 28.7.1 Example . . . . .  | 730        |
| 28.7.2 Solution . . . . .   | 730        |
| 28.8 Exercises . . . . .  | 732        |
| <b>29 The Single Stage BJT Amplifier</b>                                | <b>734</b> |
| 29.1 Introduction . . . . .   | 734        |
| 29.2 The Diode Model . . . . .  | 735        |
| 29.3 BJT Nomenclature . . . . .   | 736        |
| 29.4 The Current Generator Model . . . . .                              | 737        |
| 29.5 Base Current Control . . . . .                                     | 738        |
| 29.6 Base Voltage Control . . . . .                                     | 741        |
| 29.7 The Ramp Generator . . . . .                                       | 743        |
| 29.8 Emitter Current Control . . . . .                                  | 745        |
| 29.9 The Ramp Generator: Improved . . . . .                             | 746        |
| 29.10 Reflecting Resistance . . . . .                                   | 750        |
| 29.11 Collector Resistance . . . . .                                    | 752        |
| 29.12 Temperature and Base-Emitter Voltage . . . . .                    | 757        |
| 29.13 Temperature and Leakage Current . . . . .                         | 760        |
| 29.14 DC BJT Circuits and Equations . . . . .                           | 763        |
| 29.15 Bias Stability and Beta . . . . .                                 | 768        |
| 29.16 Emitter Incremental Resistance and BJT Transconductance . . . . . | 769        |
| 29.17 Transconductance and Distortion . . . . .                         | 772        |
| 29.18 The Common Emitter Amplifier . . . . .                            | 773        |
| 29.19 The Common Emitter Amplifier, Analysis . . . . .                  | 775        |
| 29.20 Common Emitter Amplifier with Emitter Resistance . . . . .        | 782        |
| 29.21 Common Emitter Amplifier with Enhancements . . . . .              | 786        |
| 29.22 The Common Emitter Amplifier, Base Current Drive . . . . .        | 793        |
| 29.23 Common-Emitter Amplifier with Collector-Base Feedback . . . . .   | 796        |
| 29.24 A Catalogue of Common Emitter Configurations . . . . .            | 801        |
| 29.25 Summary: Common-Emitter Equations . . . . .                       | 804        |
| 29.26 The Common Collector (Emitter Follower) Amplifier . . . . .       | 805        |

|           |   |            |
|-----------|---|------------|
| 29.27     | Summary: Emitter Follower Equations . . . . .   | 811        |
| 29.28     | The Emitter Follower as a Negative Feedback System . . . . .                            | 812        |
| 29.29     | Emitter Follower Design Example . . . . .   | 815        |
| 29.30     | The Common Base Amplifier . . . . .   | 822        |
| 29.31     | Summary: Common-Base Equations . . . . .  | 826        |
| 29.32     | The Inverted Transistor . . . . .   | 827        |
| 29.33     | Noise in the BJT . . . . .  | 828        |
| 29.34     | BJT Noise Current and Other Considerations . . . . .                                    | 829        |
| 29.35     | Problems . . . . .  | 830        |
| 29.36     | Appendix: Determining the Transistor Parameters . . . . .                               | 830        |
| 29.37     | Appendix: A discussion of Models . . . . .  | 836        |
| 29.38     | Appendix: Base-Emitter Voltage Function of Temperature . . . . .                        | 837        |
| 29.39     | Appendix: BJT Datasheet . . . . .   | 843        |
| <b>30</b> | <b>BJT-Compounds</b> . . . . .  | <b>847</b> |
| 30.1      | The Darlington Pair . . . . .   | 847        |
| 30.2      | The Sziklai Pair . . . . .  | 849        |
| 30.3      | The Current Source . . . . .  | 851        |
| 30.4      | Discrete Component Sink . . . . .   | 851        |
| 30.5      | The Current Mirror . . . . .  | 853        |
| 30.6      | Discrete Component Current Mirror . . . . .   | 855        |
| 30.7      | Multiple-Output Current Mirror . . . . .  | 858        |
| 30.8      | The Wilson Current Mirror . . . . .   | 860        |
| 30.9      | Appendix: Output Resistance of Common-Emitter Stage with Emitter Degeneration . . . . . | 862        |
| 30.10     | Appendix: Mirror Emitter Degeneration Resistors . . . . .                               | 863        |
| 30.11     | Appendix: Wilson Mirror Output Resistance . . . . .                                     | 864        |
| 30.12     | The Cascode Pair . . . . .  | 866        |
| 30.13     | Folded Cascode Pair . . . . .   | 870        |
| 30.14     | The Differential Pair . . . . .   | 870        |
|           | 30.14.1 BJT Differential Amplifier, Transfer Characteristic . . . . .                   | 871        |
| 30.15     | Enhanced Differential Pair . . . . .  | 878        |
|           | 30.15.1 Darlington-Differential . . . . .   | 882        |
|           | 30.15.2 Cascode-Differential . . . . .  | 883        |
|           | 30.15.3 Differential Stage Coupling . . . . .   | 883        |
|           | 30.15.4 Appendix: Diff Amp Transfer Characteristic . . . . .                            | 884        |
|           | 30.15.5 The <i>tanh</i> Function . . . . .  | 886        |
|           | 30.15.6 Appendix: Dual Stage Differential Amplifier Bias and Gain . . . . .             | 886        |
| 30.16     | Series-Shunt Feedback Pair . . . . .  | 889        |
| 30.17     | An Operational Amplifier Design . . . . .   | 894        |
| 30.18     | Exercises . . . . .   | 902        |
| <b>31</b> | <b>JFET Characteristics and Applications</b> . . . . .                                  | <b>913</b> |
| 31.1      | Constant Current Diode . . . . .  | 913        |
| 31.2      | Transfer Characteristic . . . . .   | 915        |
| 31.3      | The JFET Switch . . . . .   | 918        |
|           | 31.3.1 Opto-Isolated JFET Switch . . . . .  | 920        |
| 31.4      | The JFET Amplifier . . . . .  | 920        |
|           | 31.4.1 Playing to the Strengths of the JFET . . . . .                                   | 920        |

|           |  |            |
|-----------|--|------------|
| 31.4.2    | BJT and JFET Op-Amps . . . . .                                     | 921        |
| 31.4.3    | Transconductance of the BJT . . . . .                              | 921        |
| 31.4.4    | Transconductance of the JFET . . . . .                             | 922        |
| 31.4.5    | Transresistance of the JFET . . . . .                              | 923        |
| 31.5      | The Source Follower . . . . .                                      | 924        |
| 31.5.1    | Notes on the Source Follower Circuit . . . . .                     | 924        |
| 31.5.2    | The JFET Small Signal Model . . . . .                              | 925        |
| 31.5.3    | Voltage Gain of the Source Follower . . . . .                      | 925        |
| 31.5.4    | Summary: Source Follower Equations . . . . .                       | 927        |
| 31.6      | JFET Common Source Amplifier and Common Gate Amplifier . . . . .   | 928        |
| 31.7      | JFET Compound Amplifiers . . . . .                                 | 928        |
| 31.7.1    | JFET Differential Amplifier . . . . .                              | 928        |
| 31.7.2    | Oscilloscope Buffer Amplifier . . . . .                            | 928        |
| 31.8      | Appendix: Interpreting the JFET Datasheet . . . . .                | 930        |
| 31.9      | Exercises . . . . .  | 932        |
| <b>32</b> | <b>The MOSFET Family</b>   | <b>934</b> |
| 32.1      | Linear Applications of the MOSFET Transistor . . . . .             | 934        |
| 32.2      | MOSFET Transfer Characteristic . . . . .                           | 934        |
| 32.3      | The Enhancement Mode MOSFET . . . . .                              | 935        |
| 32.4      | The Depletion Mode MOSFET . . . . .                                | 936        |
| 32.5      | DC Coupled Source Follower . . . . .                               | 936        |
| 32.5.1    | Biasing the Follower . . . . .                                     | 936        |
| 32.5.2    | Voltage Gain of the Follower . . . . .                             | 937        |
| 32.5.3    | Output Resistance of the Follower . . . . .                        | 938        |
| 32.6      | Biasing the Enhancement Mode MOSFET: AC Coupled Follower . . . . . | 940        |
| 32.7      | Applying MOSFETs in Linear Applications . . . . .                  | 941        |
| 32.8      | Vertical and Lateral Format MOSFETs . . . . .                      | 941        |
| 32.9      | MOSFET Power Amplifier Output Stage . . . . .                      | 942        |
| 32.9.1    | Drive Current and Voltage . . . . .                                | 942        |
| 32.9.2    | Thermal Stability and Crossover Distortion . . . . .               | 943        |
| 32.9.3    | Output Voltage Swing . . . . .                                     | 944        |
| 32.9.4    | Bandwidth . . . . .  | 944        |
| 32.10     | Exercises . . . . .  | 945        |
| <b>33</b> | <b>CMOS Analog Switch and Applications</b>                         | <b>946</b> |
| 33.1      | Applications . . . . .   | 947        |
| 33.1.1    | Mixer Input Select . . . . .                                       | 947        |
| 33.1.2    | Switched Gain Amplifier . . . . .                                  | 948        |
| 33.1.3    | Logic Circuits . . . . .   | 949        |
| <b>34</b> | <b>Interference</b>  | <b>950</b> |
| 34.1      | Scope of the Problem . . . . .                                     | 950        |
| 34.2      | The Mechanism of Interference . . . . .                            | 952        |
| 34.3      | The Source . . . . .   | 952        |
| 34.4      | The Coupling Mechanism . . . . .                                   | 952        |
| 34.5      | Conductive Coupling . . . . .                                      | 953        |
| 34.5.1    | Implications for PC Board Layout . . . . .                         | 954        |

|         |   |     |
|---------|---|-----|
| 34.6    | Electric Field Coupling . . . . .   | 954 |
| 34.6.1  | Electric-Field Detection . . . . .  | 955 |
| 34.6.2  | Electric-Field Shielding . . . . .  | 955 |
| 34.6.3  | Demonstration: Electric Field Pickup . . . . .                                | 956 |
| 34.6.4  | Demonstration: Reducing Electric Field Pickup by Lowering Impedance . . . . . | 957 |
| 34.6.5  | Demonstration: Reducing Electric Field Pickup by Shielding . . . . .          | 957 |
| 34.7    | Magnetic Field Coupling . . . . .   | 957 |
| 34.7.1  | Magnetic Field Identification . . . . .                                       | 959 |
| 34.7.2  | Voltage in the Conductor . . . . .  | 959 |
| 34.7.3  | Demonstration: Magnetic Field Pickup . . . . .                                | 961 |
| 34.7.4  | Magnetic Field Shielding . . . . .  | 961 |
| 34.8    | Spectrum of Pulse Waveform . . . . .  | 964 |
| 34.8.1  | Square Wave Spectrum . . . . .  | 964 |
| 34.8.2  | Trapezoidal Wave Spectrum . . . . .   | 965 |
| 34.8.3  | The Bode Approximation . . . . .  | 965 |
| 34.8.4  | Derivation: Spectrum of Trapezoidal Waveform . . . . .                        | 966 |
| 34.9    | Components of The Hidden Schematic . . . . .                                  | 967 |
| 34.9.1  | Wiring Resistance . . . . .   | 968 |
| 34.9.2  | Resistance of Printed Wiring Traces . . . . .                                 | 969 |
| 34.9.3  | Wiring Inductance . . . . .   | 971 |
| 34.9.4  | Inductance of a Printed Wiring Trace . . . . .                                | 972 |
| 34.9.5  | Power Supply Inductance and The Bypass Capacitor . . . . .                    | 973 |
| 34.9.6  | Parasitic Inductance in Capacitors . . . . .                                  | 974 |
| 34.9.7  | Capacitor Resonance . . . . .   | 976 |
| 34.9.8  | Broadbanding the Bypass Capacitor . . . . .                                   | 976 |
| 34.10   | Common Mode and Differential Signals . . . . .                                | 976 |
| 34.10.1 | Rejection of Ground Conductor Noise . . . . .                                 | 977 |
| 34.10.2 | Differential Amplifier Enhancements . . . . .                                 | 978 |
| 34.10.3 | Guarding . . . . .  | 979 |
| 34.10.4 | Bifilar Choke . . . . .   | 979 |
| 34.11   | EMC: Electromagnetic Compliance . . . . .                                     | 980 |
| 34.11.1 | EMI from Differential and Common Mode Currents . . . . .                      | 981 |
| 34.11.2 | Common Mode Current, EMI, and the Bifilar Choke . . . . .                     | 982 |
| 34.11.3 | Differential Drive and Common-Mode EMI Current . . . . .                      | 983 |
| 34.11.4 | Evaluating EMC . . . . .  | 983 |
| 34.12   | Electromagnetic Field Coupling . . . . .                                      | 984 |
| 34.13   | Measurement Technique . . . . .   | 985 |
| 34.13.1 | Single Lead Connection . . . . .  | 986 |
| 34.13.2 | Twin Lead Connection . . . . .  | 986 |
| 34.13.3 | Coaxial Cable Connection . . . . .  | 988 |
| 34.13.4 | $\times 10$ Probe Connection . . . . .  | 988 |
| 34.13.5 | Active Probe Connection . . . . .   | 989 |
| 34.14   | Printed Wiring Board Layout . . . . .   | 989 |
| 34.14.1 | A/D Converter Layout and Grounding . . . . .                                  | 990 |
| 34.14.2 | Ground Plane and the A/D Converter . . . . .                                  | 993 |
| 34.15   | Case Histories: Solved . . . . .  | 993 |
| 34.16   | Exercises . . . . .   | 994 |

|   |            |
|---|------------|
| <b>35 Beyond the Op-Amp</b>                                   | <b>997</b> |
| 35.1 Introduction   | 997        |
| 35.1.1 Voltage-Mode and Current Mode Circuits                 | 997        |
| 35.1.2 Why is the Op-Amp so Popular?                          | 997        |
| 35.1.3 Why Consider Other Amplifier Architectures?            | 998        |
| 35.1.4 Other Types of Amplifiers                              | 998        |
| 35.2 The Current Conveyor                                     | 999        |
| 35.2.1 Example  | 999        |
| 35.2.2 Internal Circuit Operation                             | 999        |
| 35.2.3 Application  | 1000       |
| 35.3 The <i>Current Feedback</i> Amplifier                    | 1001       |
| 35.3.1 Basic Operation  | 1002       |
| 35.3.2 Gain Analysis  | 1003       |
| 35.3.3 Loop Gain  | 1003       |
| 35.3.4 Maximum Frequency of Operation                         | 1004       |
| 35.3.5 Transresistance Equivalent Circuit                     | 1004       |
| 35.3.6 Slew Rate  | 1005       |
| 35.3.7 References   | 1005       |
| 35.4 The <i>Norton</i> Amplifier                              | 1006       |
| 35.4.1 Norton Internals                                       | 1006       |
| 35.4.2 Equivalent Circuit                                     | 1006       |
| 35.4.3 Bias for AC Amplification                              | 1007       |
| 35.4.4 AC Amplifier   | 1007       |
| 35.4.5 Discussion   | 1007       |
| 35.5 Operational Transconductance Amplifier                   | 1008       |
| 35.5.1 Internal Circuitry                                     | 1008       |
| 35.5.2 OTA Application: Voltage Controlled Amplifier          | 1009       |
| 35.6 The Comparator Device                                    | 1010       |
| 35.7 Instrumentation Amplifier                                | 1011       |
| 35.8 Fully Differential Amplifier                             | 1013       |
| 35.8.1 Differential and Common-Mode Signals                   | 1013       |
| 35.8.2 Differential Signalling                                | 1014       |
| 35.8.3 Internal Circuit                                       | 1015       |
| 35.8.4 Example Design: Transient Capture                      | 1015       |
| 35.8.5 Rules of Ideal Behaviour                               | 1016       |
| 35.8.6 Differential Gain Analysis                             | 1017       |
| 35.8.7 Common-Mode Analysis                                   | 1018       |
| 35.8.8 Design Example: Single-Ended to Differential Converter | 1019       |
| 35.8.9 Selecting Resistor Value                               | 1021       |
| 35.9 Autozero Amplifier                                       | 1022       |
| 35.10 Chopper Amplifier                                       | 1024       |
| 35.11 Composite Amplifier                                     | 1027       |
| 35.12 Exercises   | 1028       |

|   |             |
|---|-------------|
| <b>36 Multiplier</b>  | <b>1033</b> |
| 36.1 Introduction . . . . .   | 1033        |
| 36.2 MDAC: Multiplying Digital to Analog Converter . . . . .                    | 1035        |
| 36.3 Duty Cycle (Pulse Width-Height) Multiplier . . . . .                       | 1035        |
| 36.4 Transconductance Multiplier . . . . .                                      | 1037        |
| 36.5 Exercises . . . . .  | 1042        |
| <b>37 Complete Systems</b>  | <b>1044</b> |
| 37.1 Equation Solver . . . . .  | 1044        |
| 37.2 DC Motor Controller . . . . .  | 1046        |
| 37.2.1 Real DC Motor Behaviour . . . . .  | 1046        |
| 37.2.2 The Control System . . . . .   | 1047        |
| 37.2.3 Control System Equations . . . . .                                       | 1047        |
| 37.2.4 Electronic Circuit . . . . .   | 1049        |
| 37.2.5 Results . . . . .  | 1050        |
| 37.3 Sumo Competition Robot . . . . .   | 1051        |
| 37.3.1 Robot Behaviour . . . . .  | 1051        |
| 37.3.2 Robot Power Supply . . . . .   | 1052        |
| 37.3.3 Motor Driver Circuit . . . . .   | 1053        |
| 37.3.4 Edge Detection Subsystem . . . . .                                       | 1054        |
| 37.3.5 Object Detector and Speed Control . . . . .                              | 1055        |
| 37.3.6 Object Detector Circuit . . . . .  | 1056        |
| 37.4 The Synchro Resolver . . . . .   | 1058        |
| 37.4.1 Resolver Interface, Design . . . . .                                     | 1060        |
| 37.4.2 Resolver Interface, Circuit Diagram . . . . .                            | 1061        |
| 37.5 The Linear Variable Differential Transformer . . . . .                     | 1063        |
| 37.6 Analogue Correlation Techniques . . . . .                                  | 1064        |
| 37.6.1 Correlation Overview . . . . .   | 1064        |
| 37.6.2 The Correlation Time Delay . . . . .                                     | 1064        |
| 37.6.3 Correlation and Signal Processing . . . . .                              | 1065        |
| 37.6.4 Correlation and the Phase Sensitive Rectifier . . . . .                  | 1067        |
| 37.7 Barometer Interface . . . . .  | 1068        |
| 37.7.1 The Pressure Sensor . . . . .  | 1068        |
| 37.7.2 Sensor Specifications . . . . .  | 1069        |
| 37.7.3 Pressure Sensor Equivalent Circuit . . . . .                             | 1069        |
| 37.7.4 Barometer Resolution and Dynamic Range . . . . .                         | 1070        |
| 37.7.5 Transfer Function . . . . .  | 1071        |
| 37.7.6 Designing the Circuit . . . . .  | 1072        |
| 37.7.7 Complete Circuit . . . . .   | 1074        |
| 37.7.8 Reliability of the Design . . . . .                                      | 1075        |
| 37.7.9 Circuit Analysis for Component Tolerance and Temperature Drift . . . . . | 1076        |
| 37.7.10 Calibration . . . . .   | 1077        |
| 37.8 Exercises . . . . .  | 1079        |
| 37.9 Design Exercises . . . . .   | 1081        |
| 37.10 Extended Design Exercise: Telescope Heater . . . . .                      | 1085        |
| <b>Bibliography and References</b>  | <b>1092</b> |