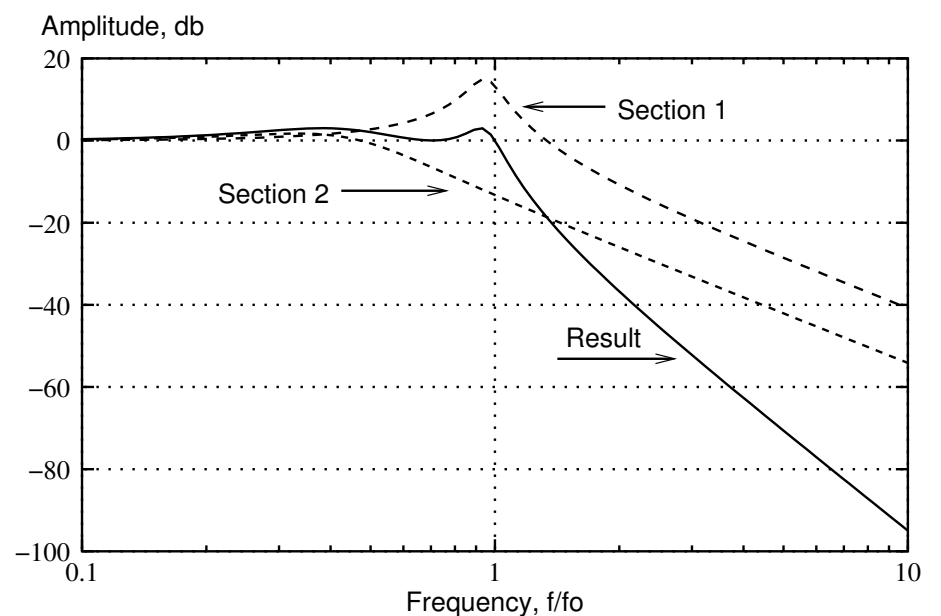
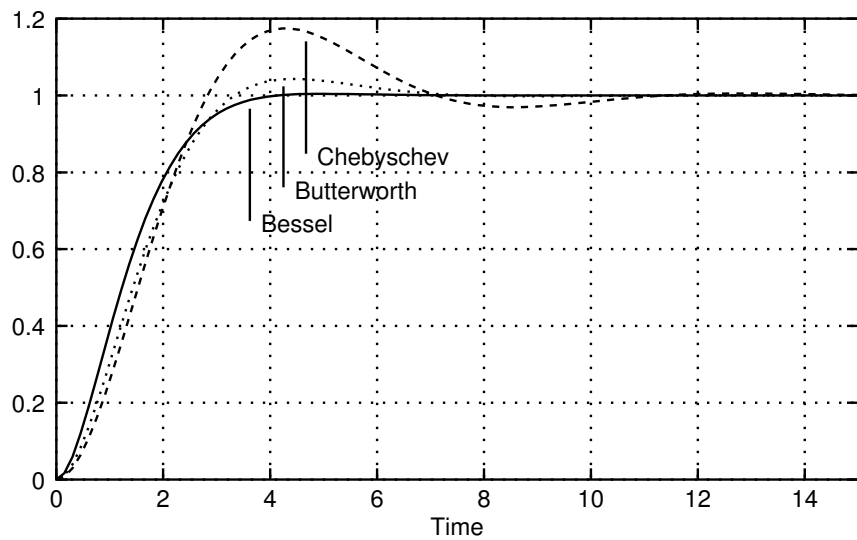
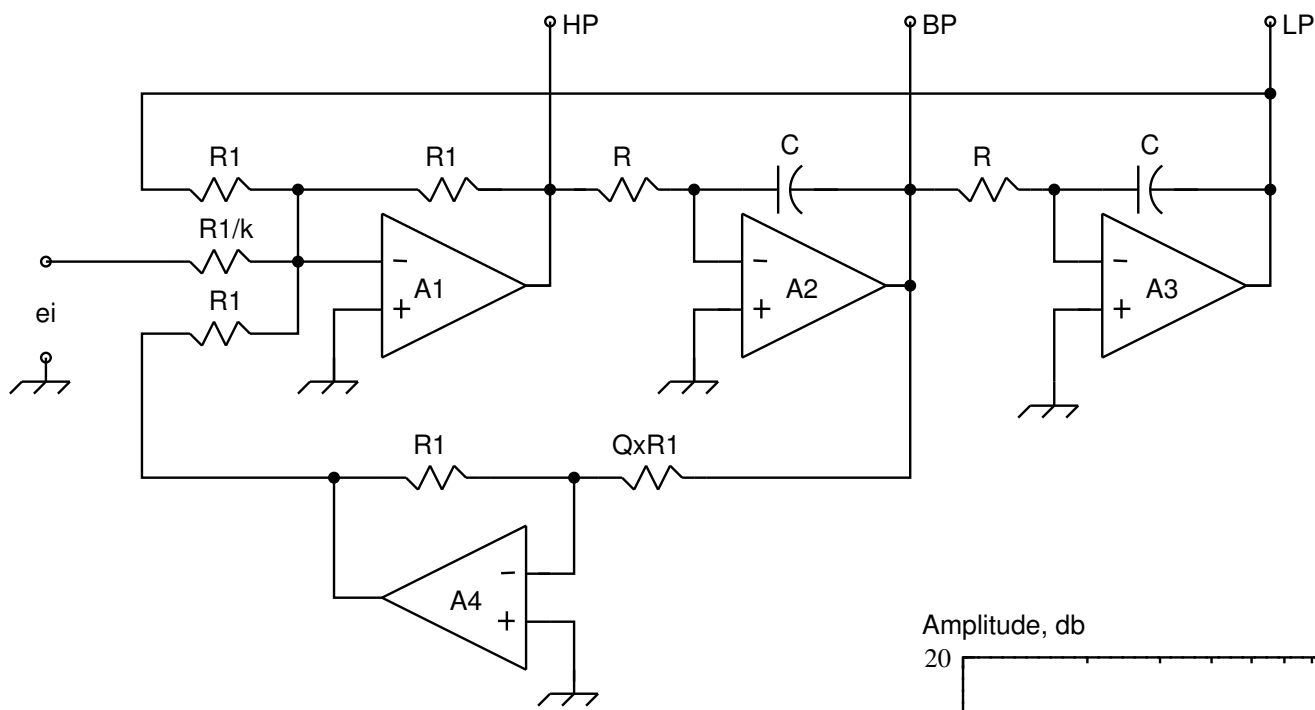


# Analog Circuit Design



Peter D. Hiscocks

# Analog Circuit Design

Peter D. Hiscocks